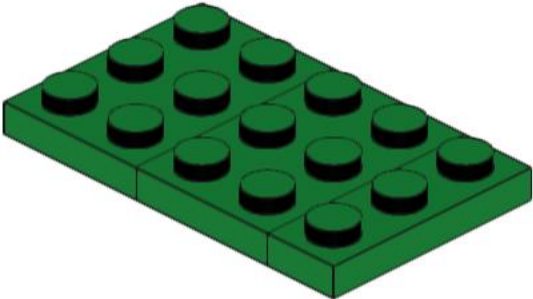
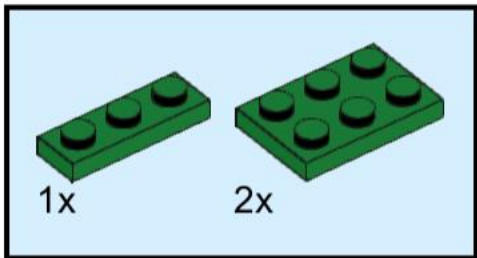
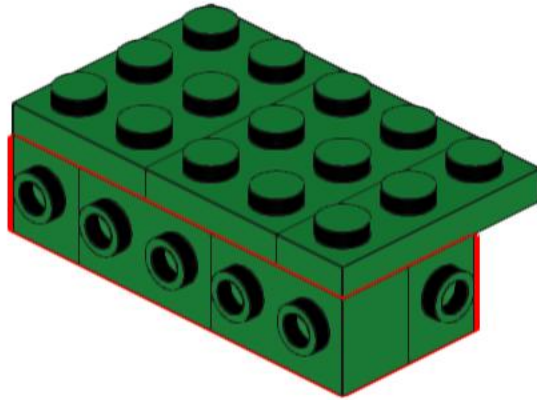
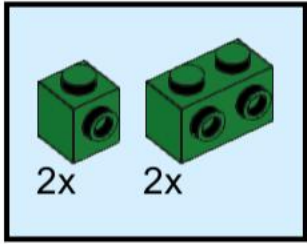


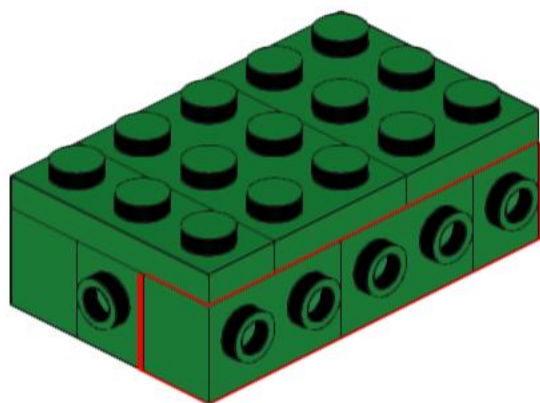
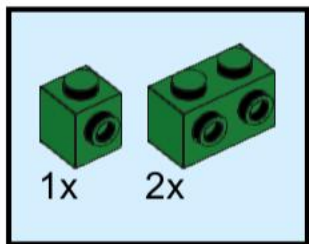
1



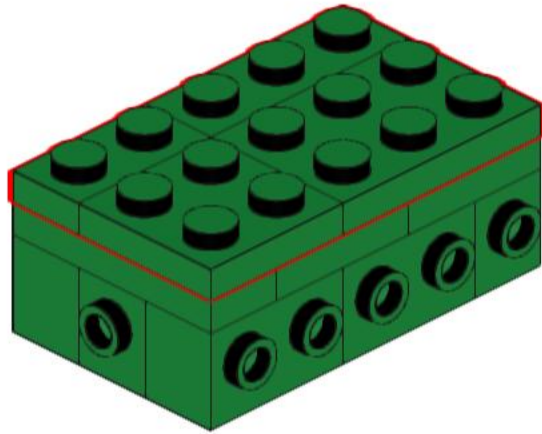
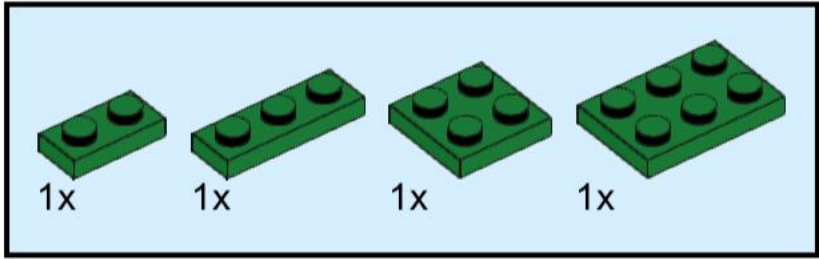
2



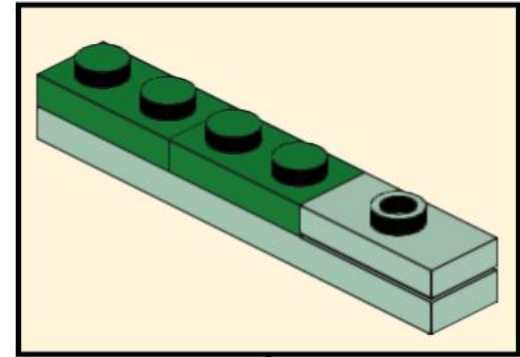
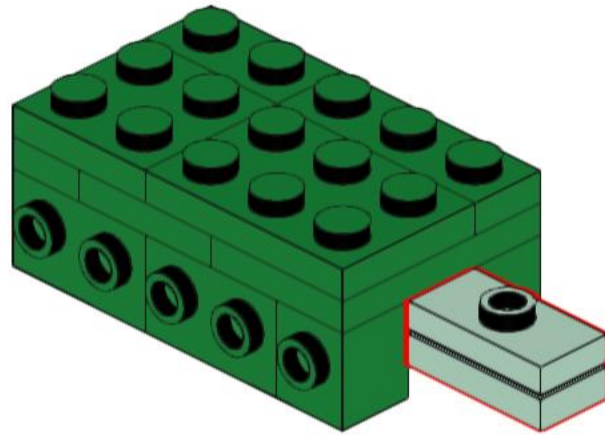
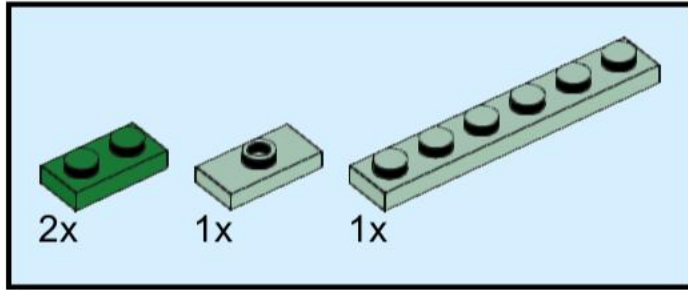
3



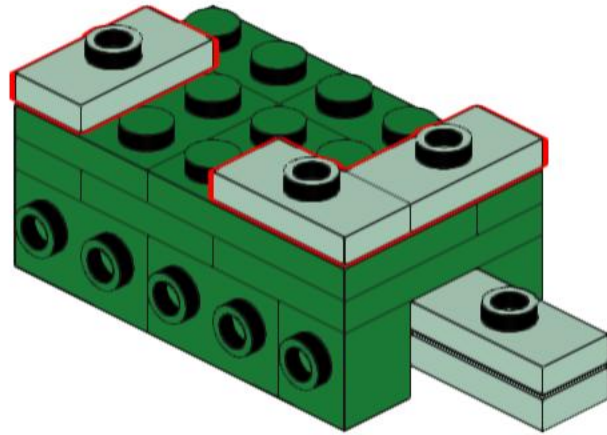
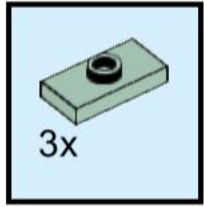
4



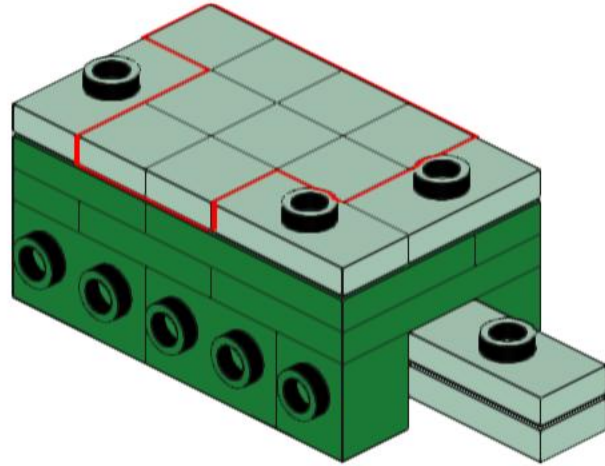
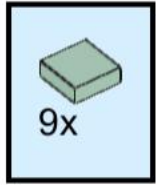
5



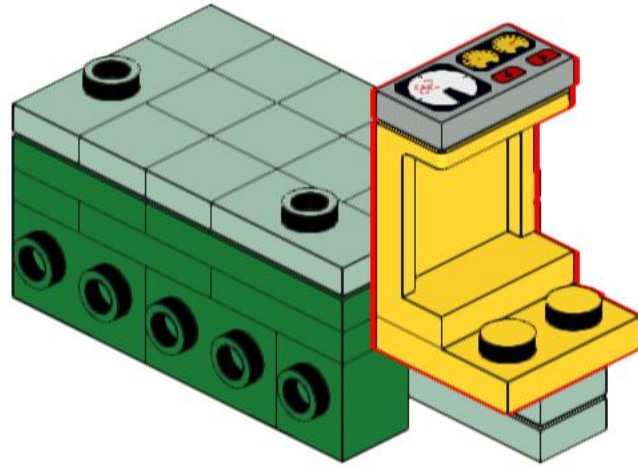
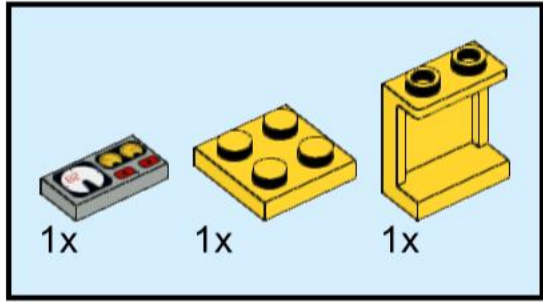
6



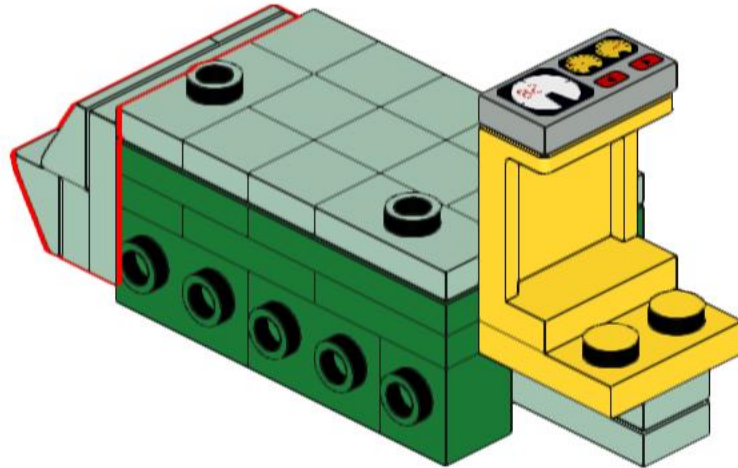
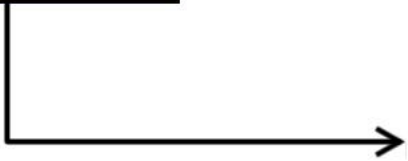
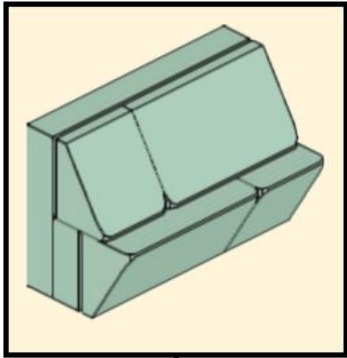
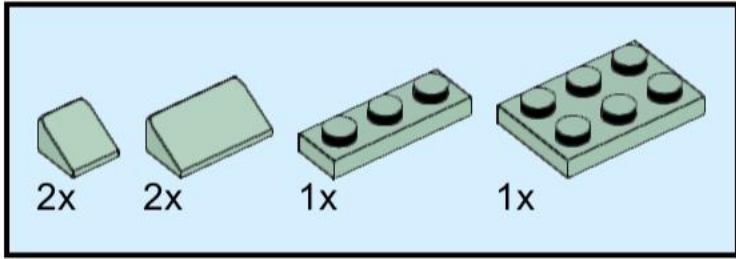
7



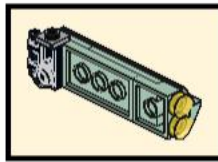
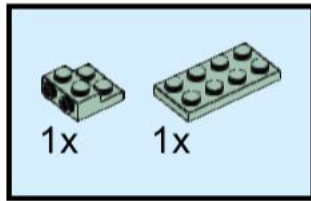
8



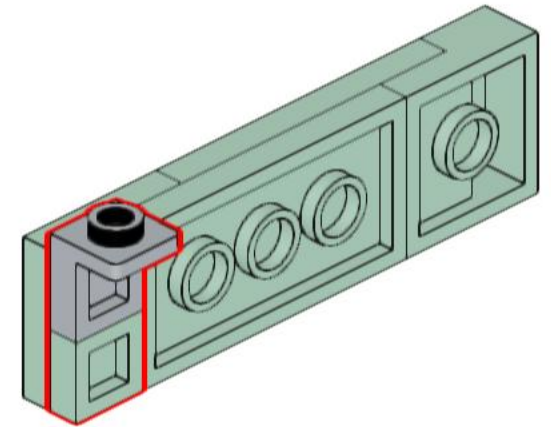
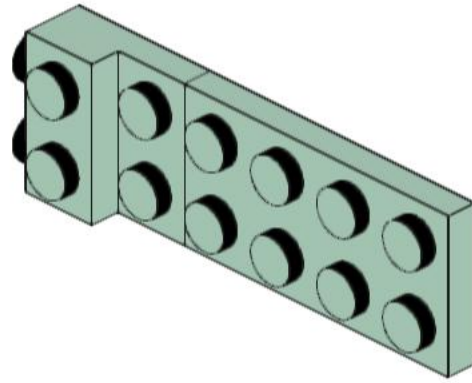
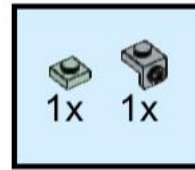
9



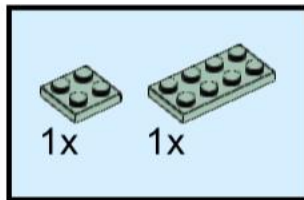
10



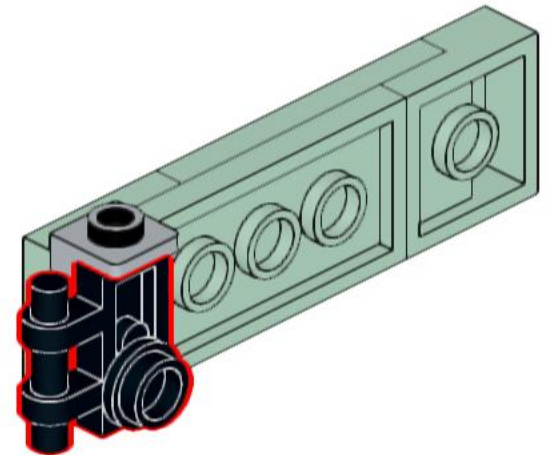
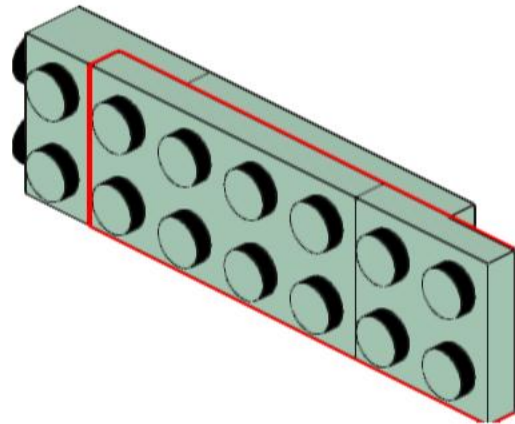
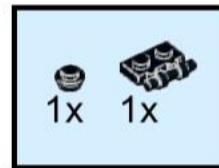
12



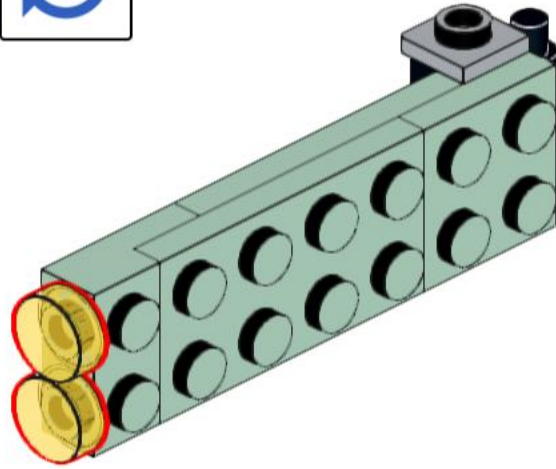
11



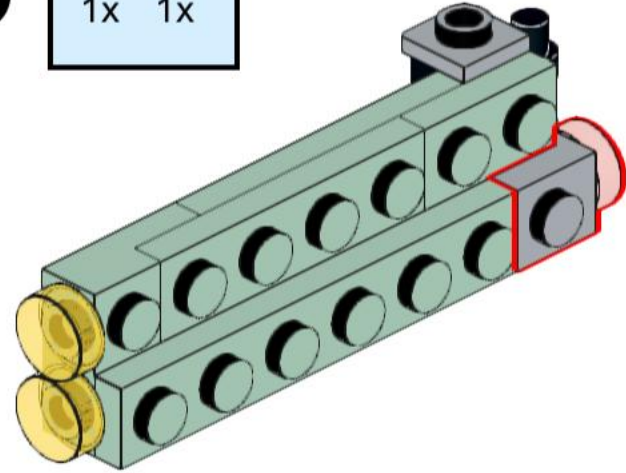
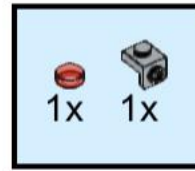
13



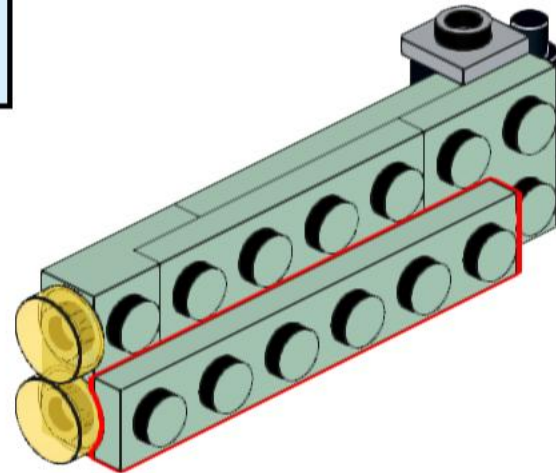
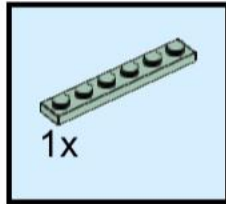
14



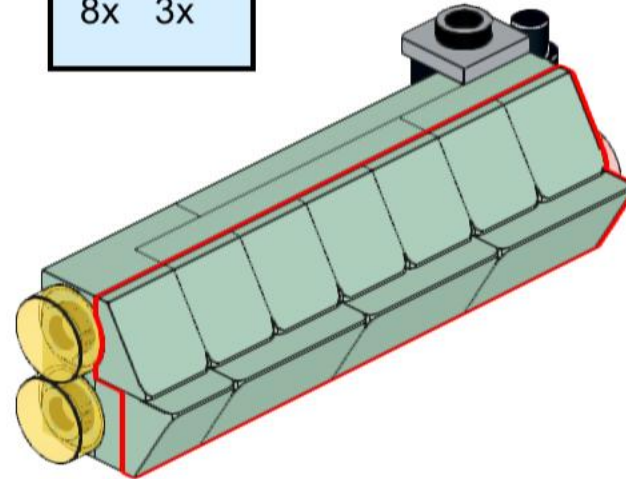
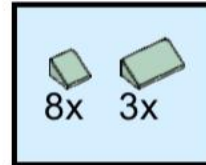
16



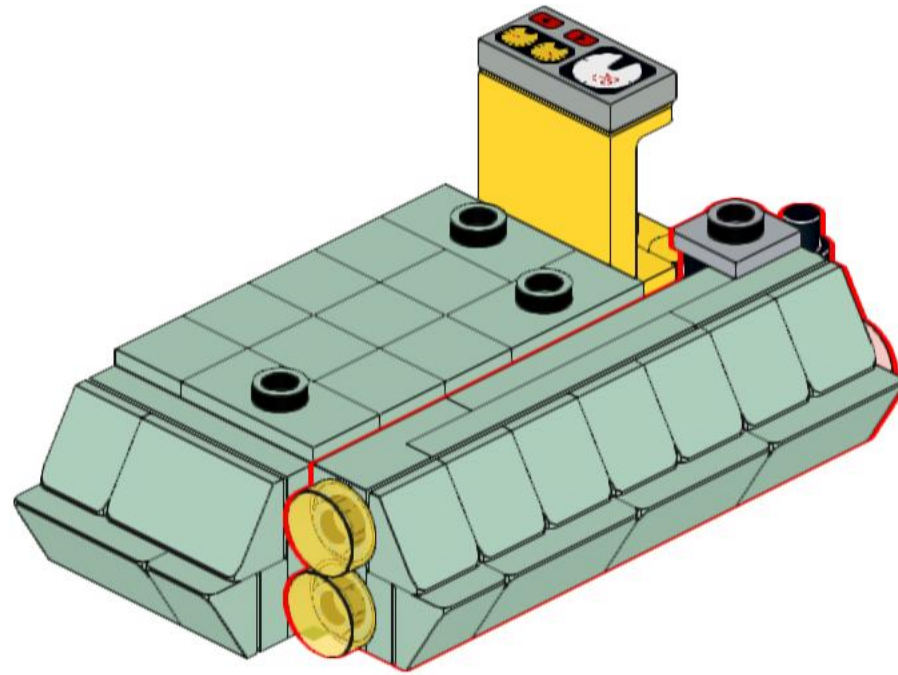
15



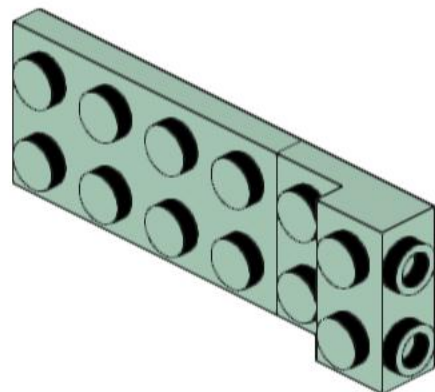
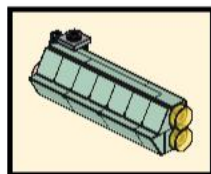
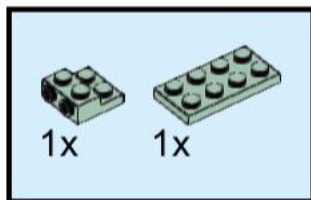
17



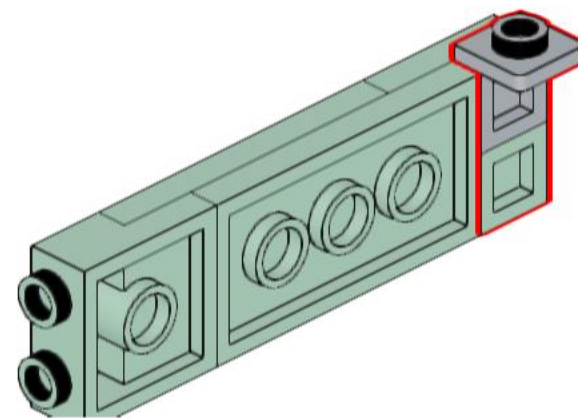
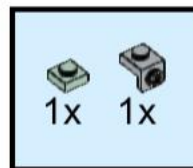
18



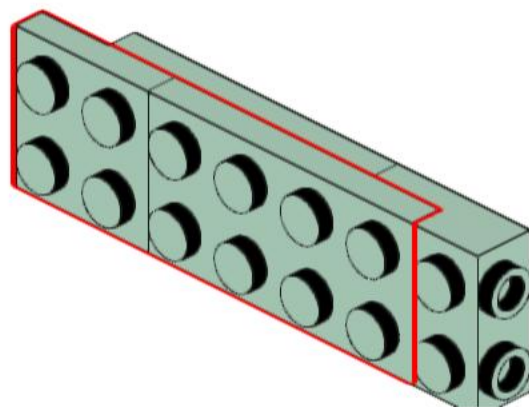
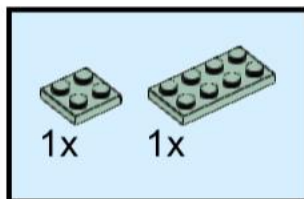
19



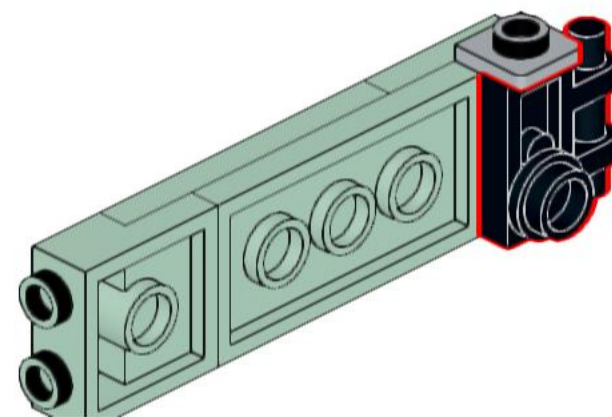
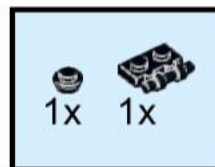
21



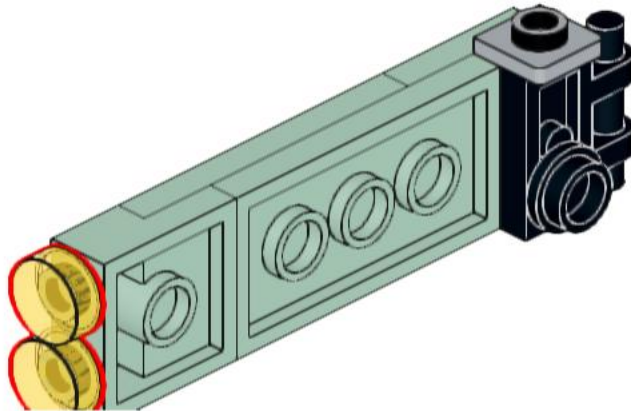
20



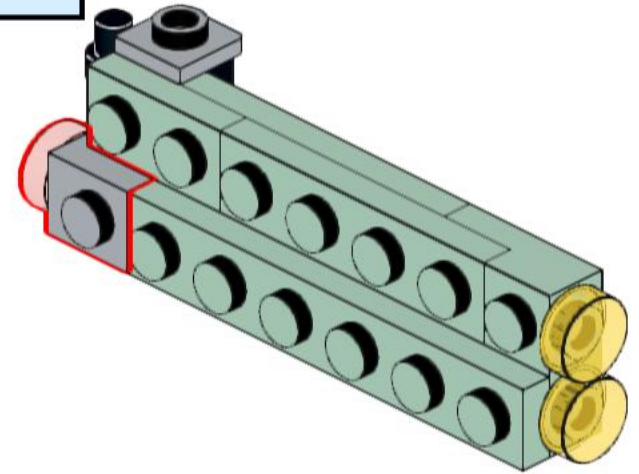
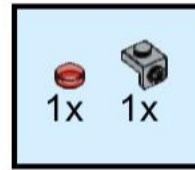
22



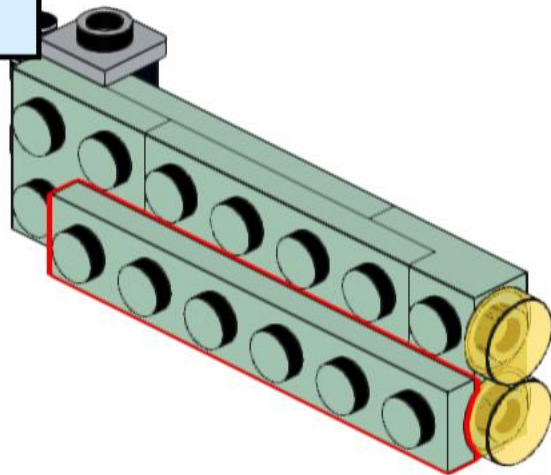
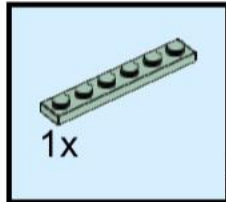
23



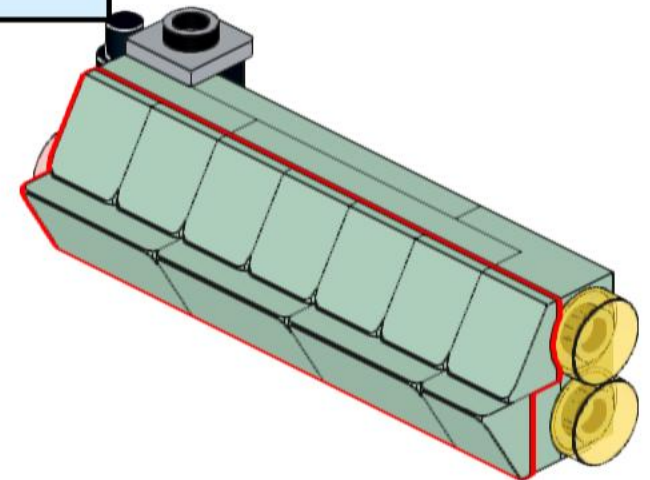
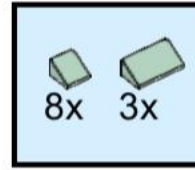
25



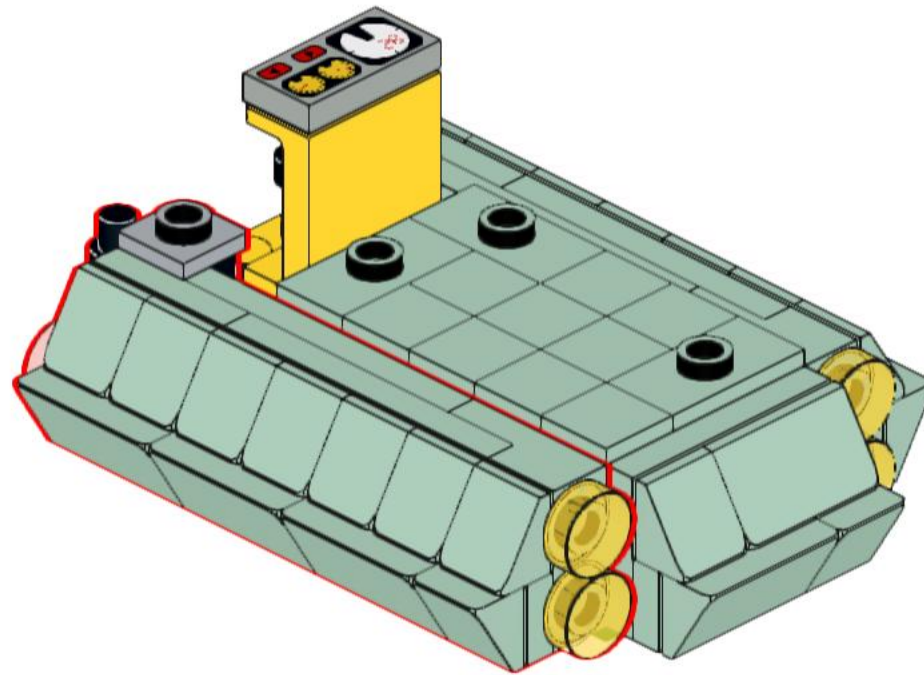
24



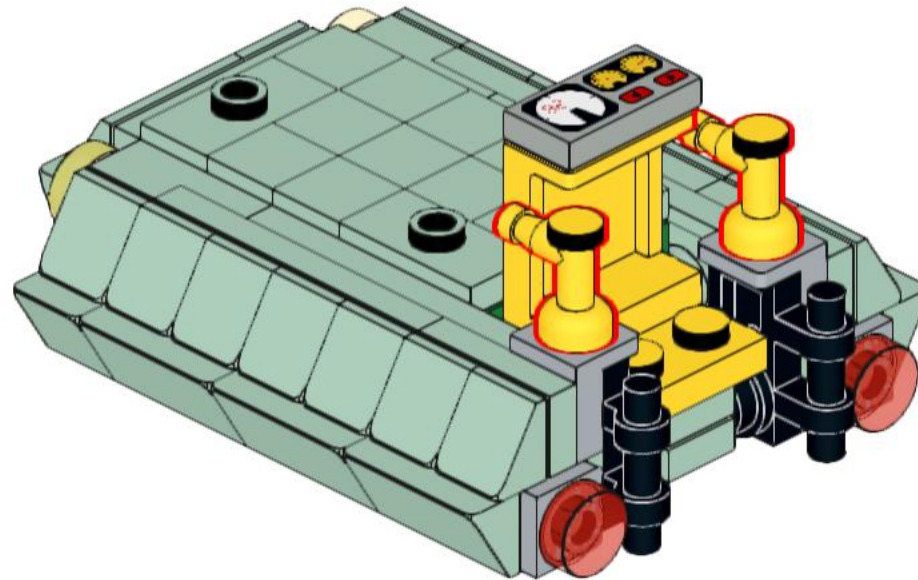
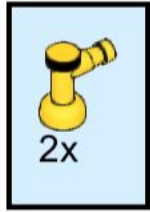
26



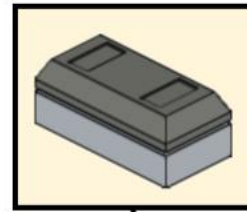
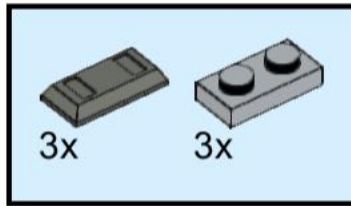
27



28



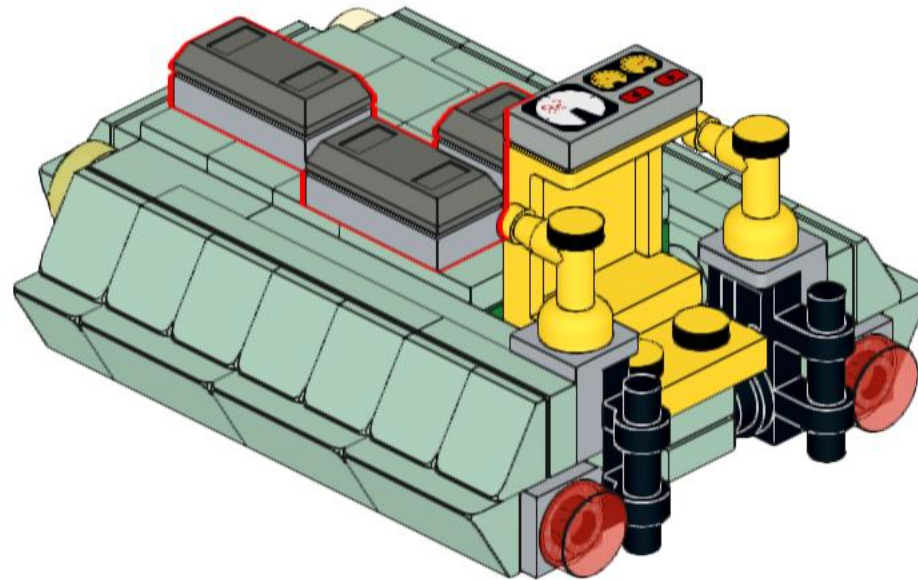
29



3x

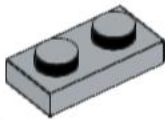
↓

An arrow points downwards from the close-up image to the main assembly, indicating that three of these plates should be attached to the model.





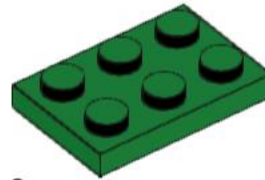
2x
4073
Black



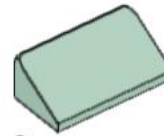
3x
3023
Light Bluish Gray



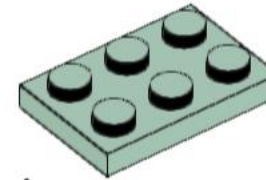
3x
87087
Green



3x
3021
Green



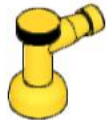
8x
85984
Sand Green



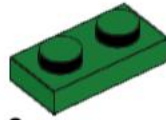
1x
3021
Sand Green



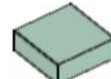
2x
2540
Black



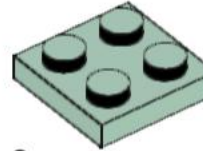
2x
4599a
Yellow



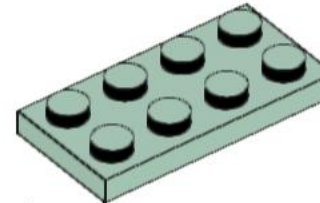
3x
3023
Green



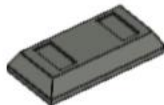
9x
3070b
Sand Green



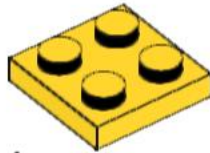
2x
3022
Sand Green



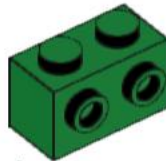
4x
3020
Sand Green



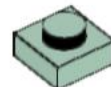
3x
99563
Dark Bluish Gray



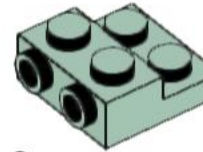
1x
3022
Yellow



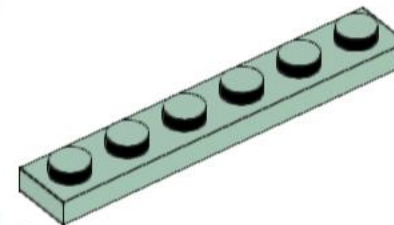
4x
11211
Green



2x
3024
Sand Green



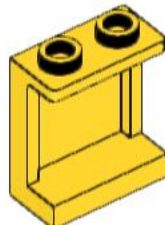
2x
99206
Sand Green



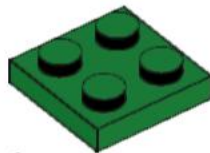
3x
3666
Sand Green



1x
3069bpx19
Light Gray



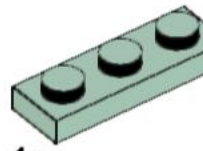
1x
87552
Yellow



1x
3022
Green



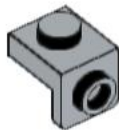
18x
54200
Sand Green



1x
3623
Sand Green



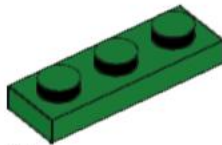
2x
98138
Trans-Red



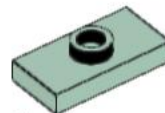
4x
36841
Light Bluish Gray



1x
87552
Yellow



2x
3623
Green



4x
15573
Sand Green



4x
98138
Trans-Yellow